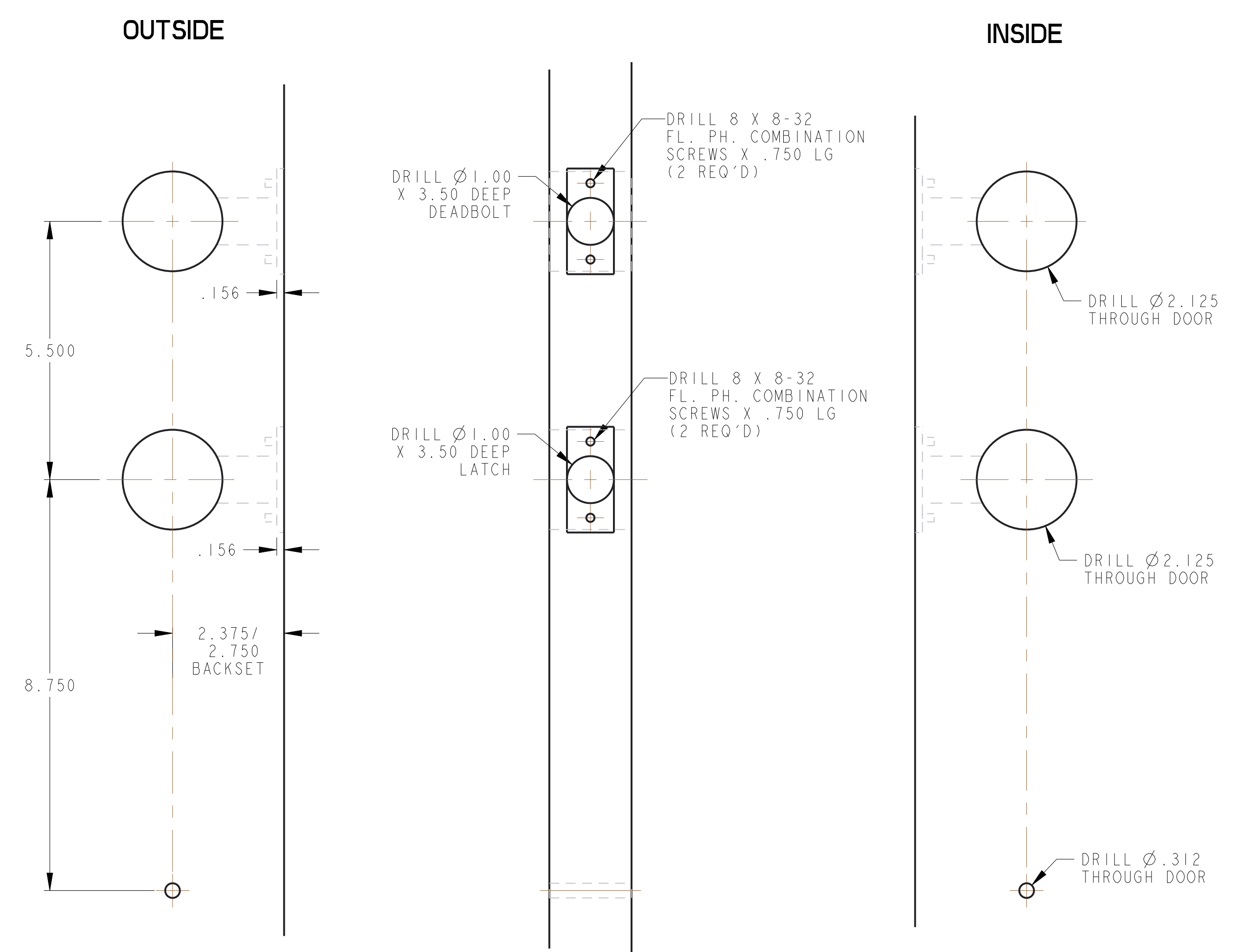
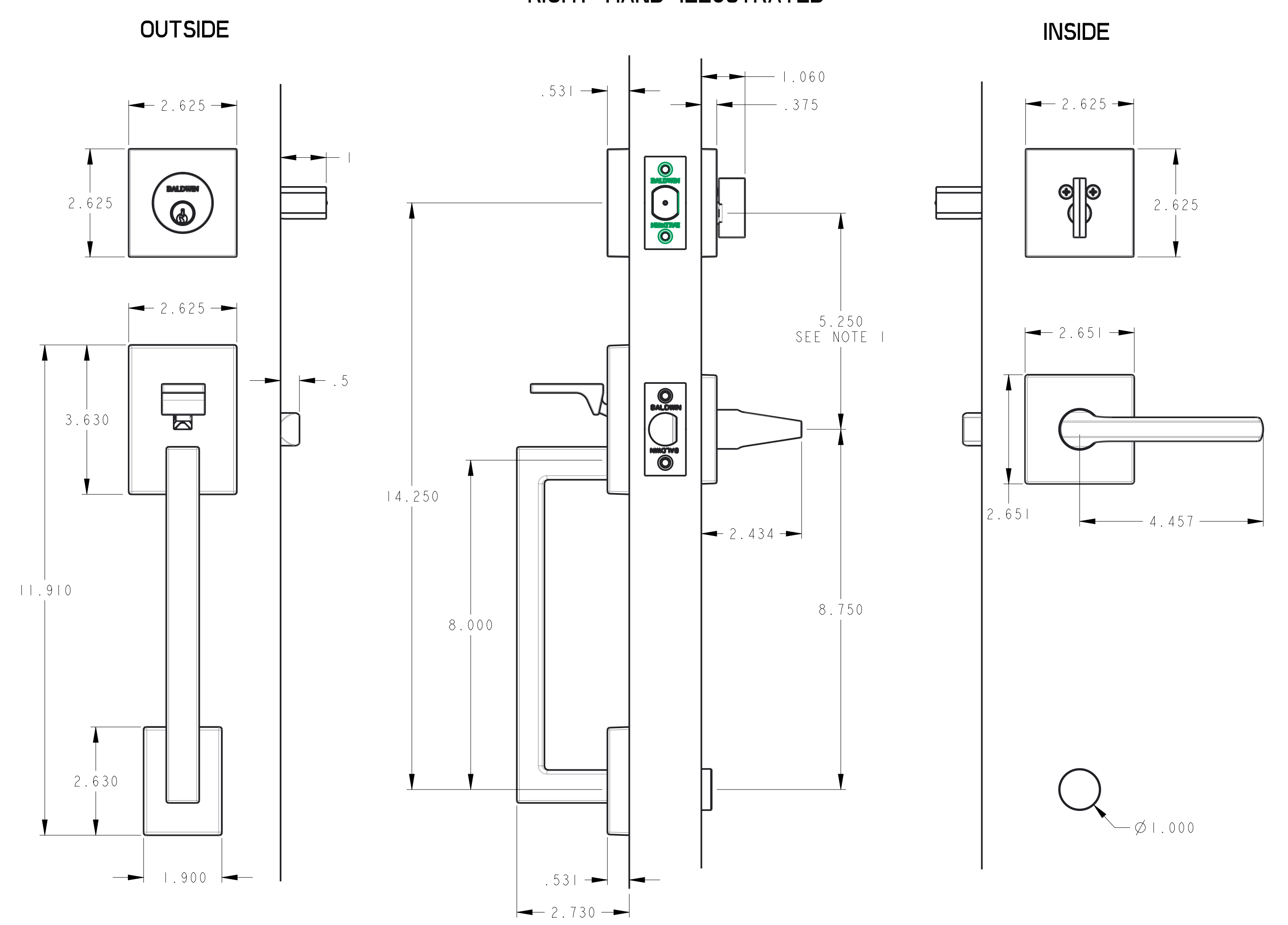


REV	DESCRIPTION
A	SEE SHEET 1

DOOR DETAIL

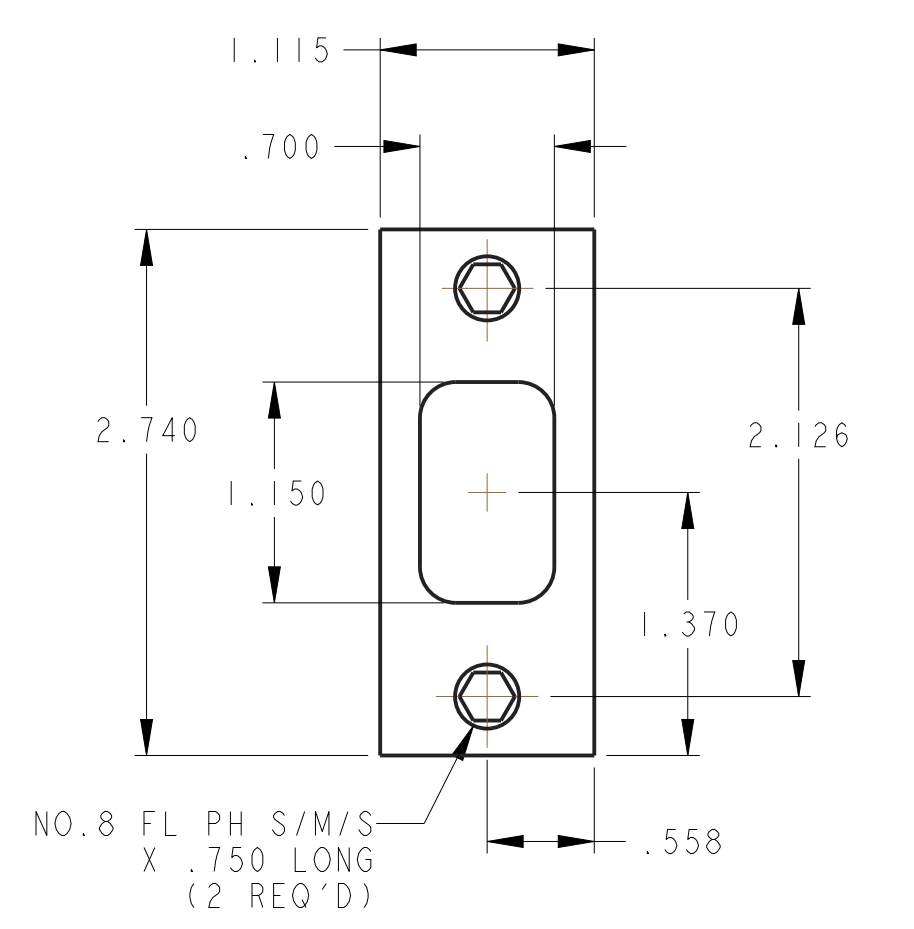


TRIM DETAIL RIGHT HAND ILLUSTRATED

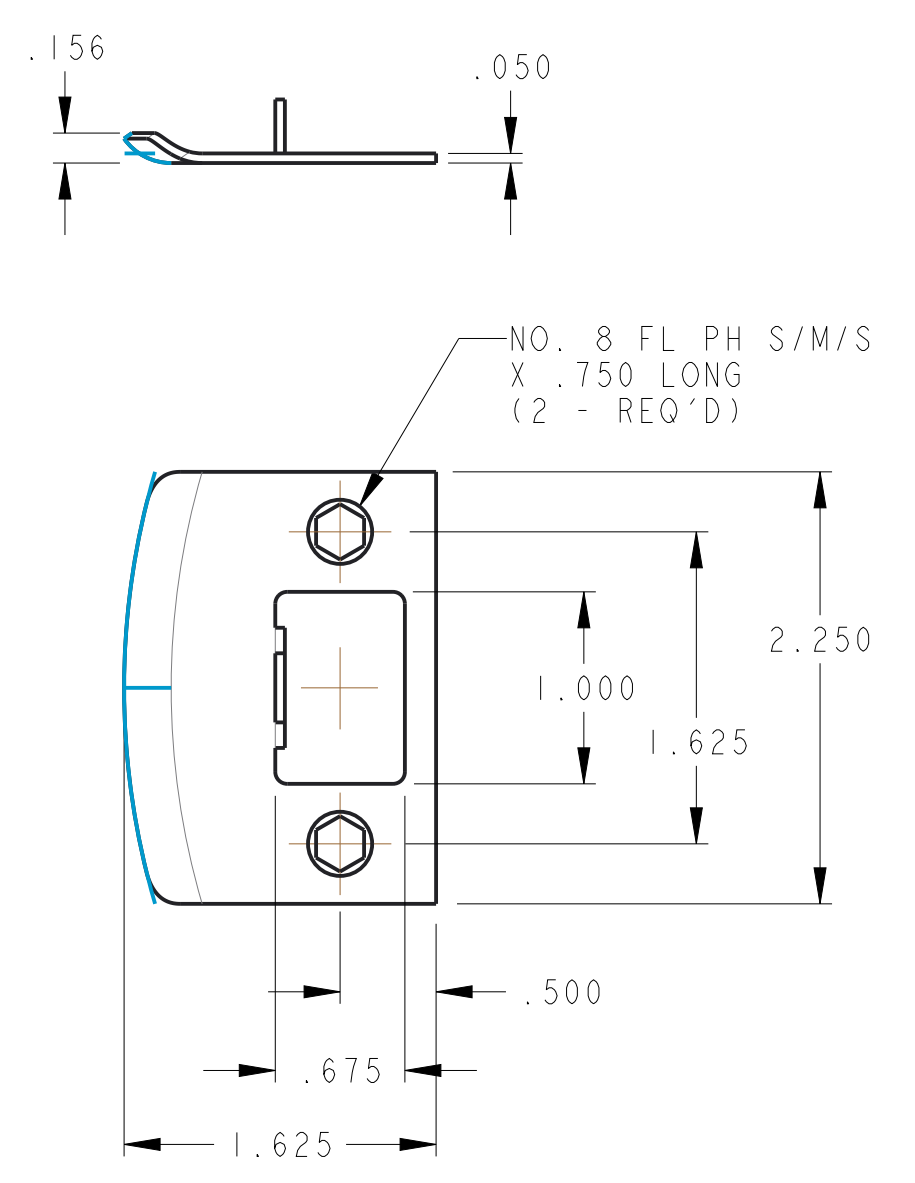


NOTE:
1. TURN KNOB IS NOT CONCENTRIC TO Ø2.125 BORE HOLE.

DEADBOLT STRIKE



LATCH STRIKE



BALDWIN
Spectrum
Brands | Hardware & Home Improvement

TITLE: 85390 MINNEAPOLIS
SECTIONAL TRIM
SIZE: D DO NOT SCALE DRAWING
DWG. NO.: P12265-2

RELEASE STATE: Preliminary
SCALE: 1/1
SHEET: 2 OF 10

REV: A
ITER: 1