



LEVER & KNOB LOCKSET

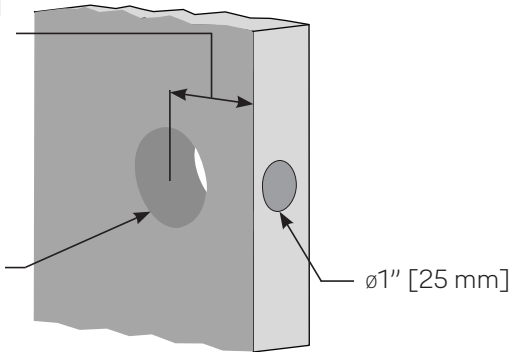
EXPRESSIONS™
SERIES

Installation Instructions
Instructivos de Instalación

1. Door Prep • Prepare la Puerta

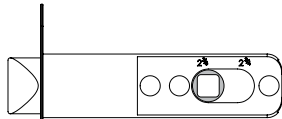
2-3/8" [60 mm]
or
2-3/4" [70 mm]

ø2-1/8" [54 mm]
Through Hole
Agujero Pasante

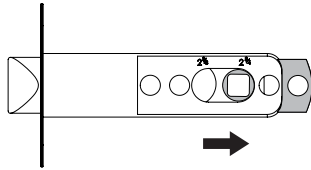


2. Select Proper Backset • Seleccione distancia apropiada

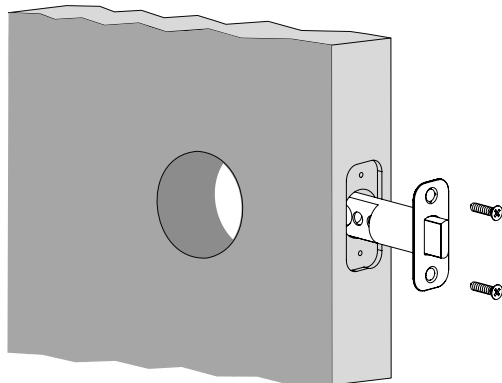
2-3/8" [60 mm]



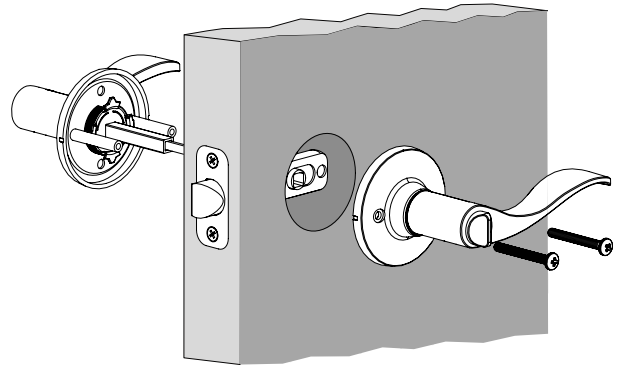
2-3/4" [70 mm]



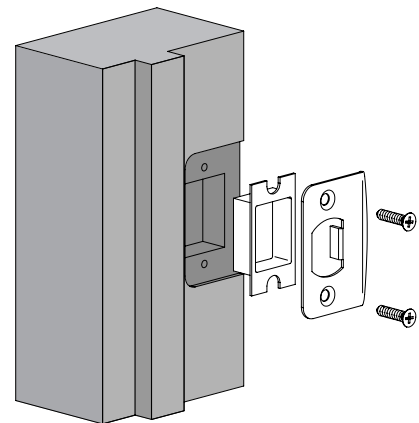
3. Install Latch • Instale el pestillo



4. Install Levers or Knobs • Instale las Manijas o la Perilla



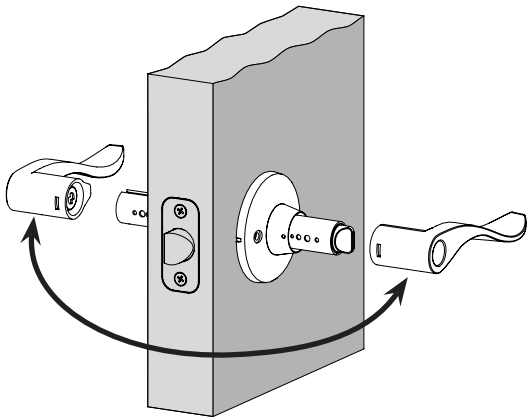
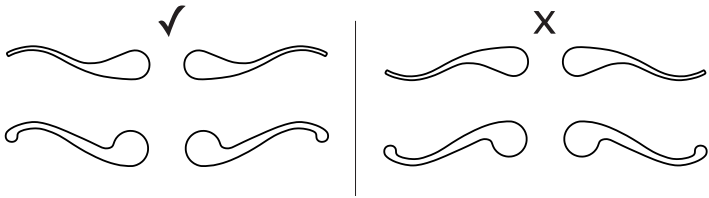
5. Install Strike and Dust Box • Instale de la placa hembra y caja antipolvo



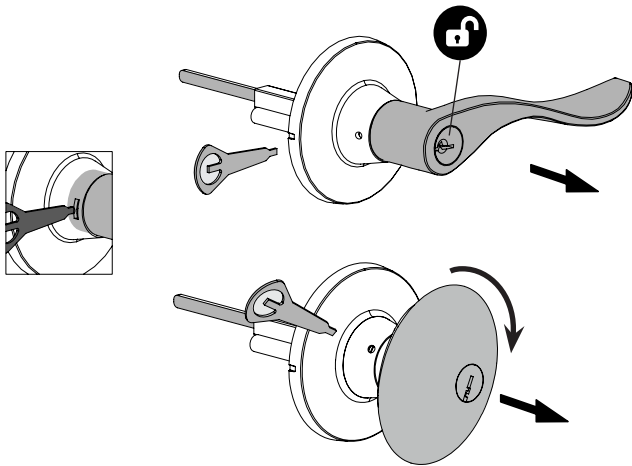


LEVER & KNOB LOCKSET

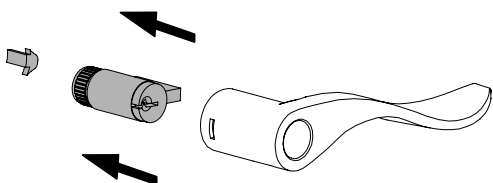
Lever handing instructions (If needed)
Instrucciones para cambio de Manija (Si es necesario)



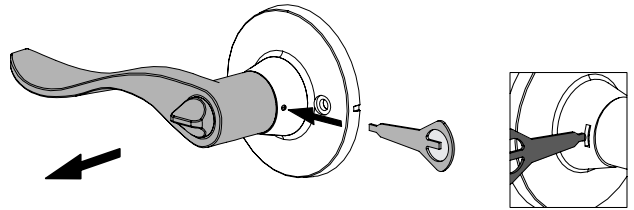
1



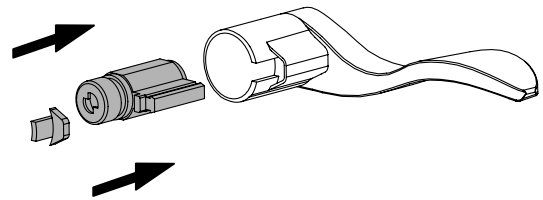
2



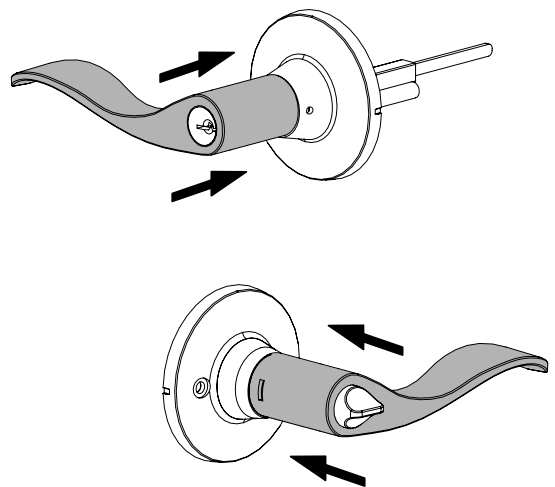
3



4



5



600 Baldwin Park Blvd., City of Industry, CA 91746
yalehome.com 1-800-356-2741

© Copyright 2020. All rights reserved.
Reproduction in whole or in part without the
express written permission of ASSA ABLOY
Residential Group is prohibited.