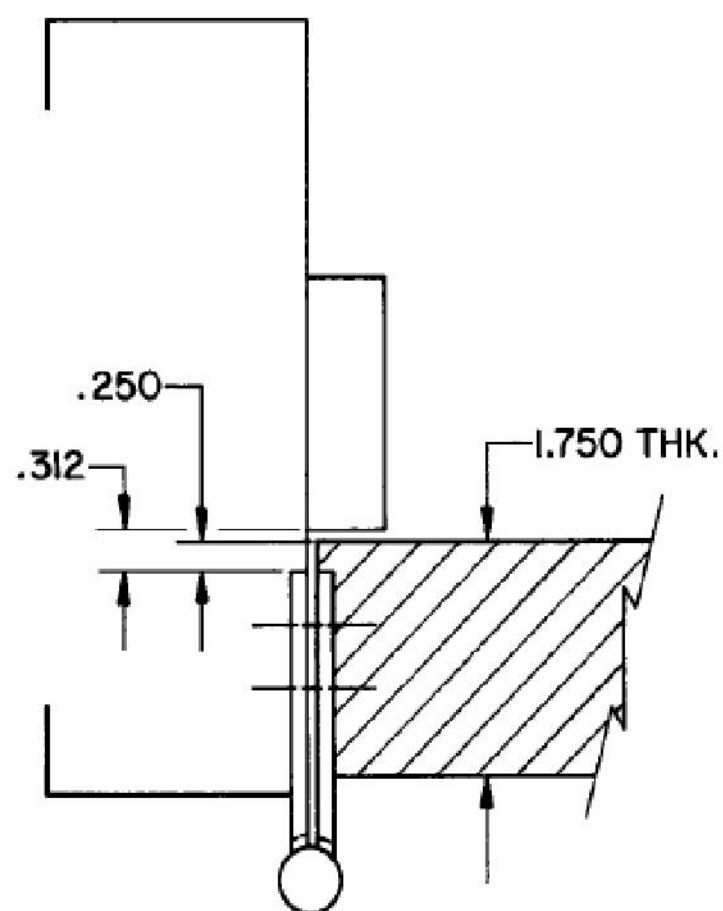


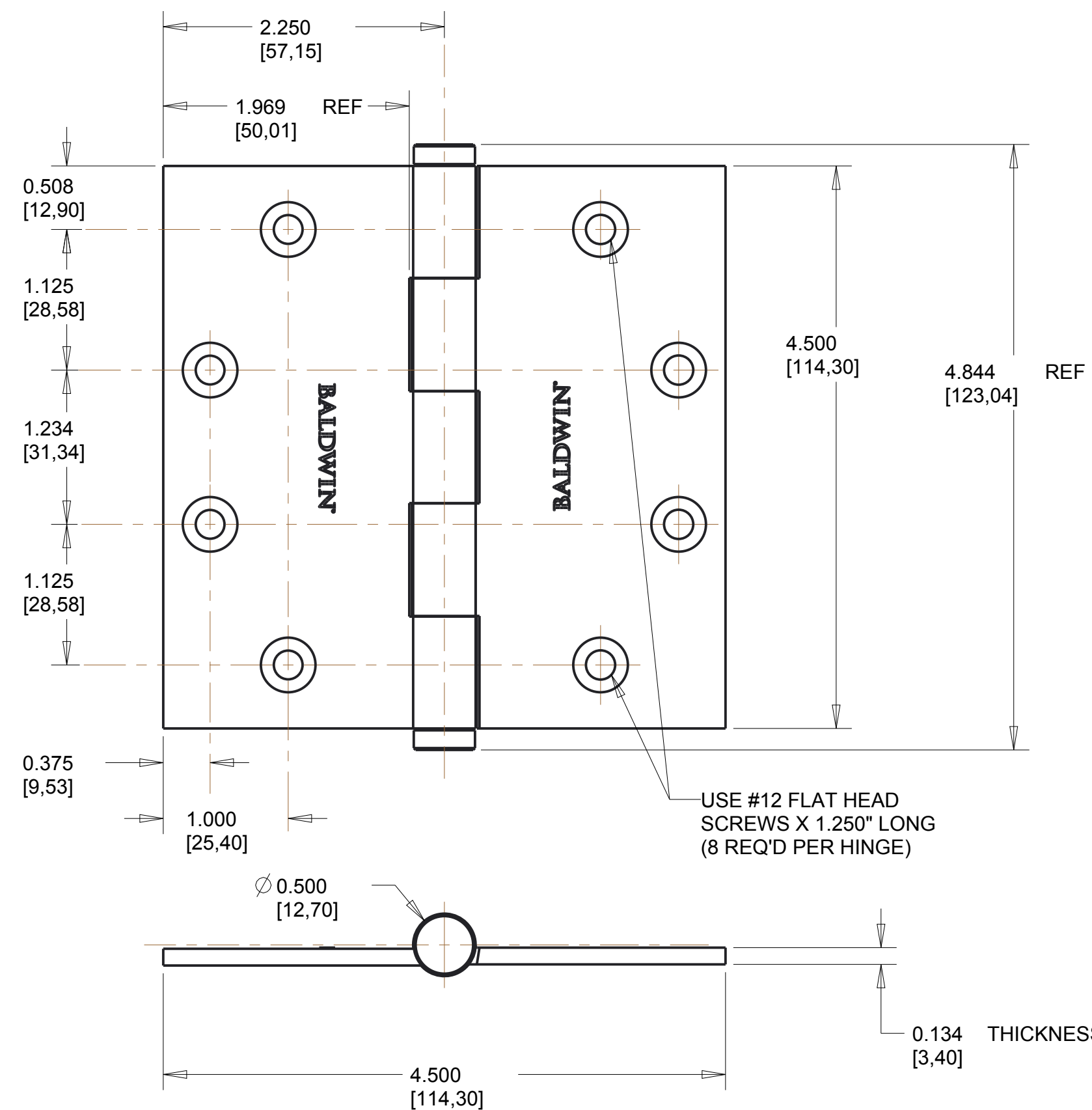
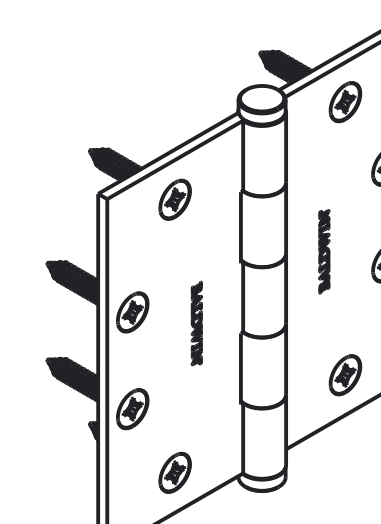
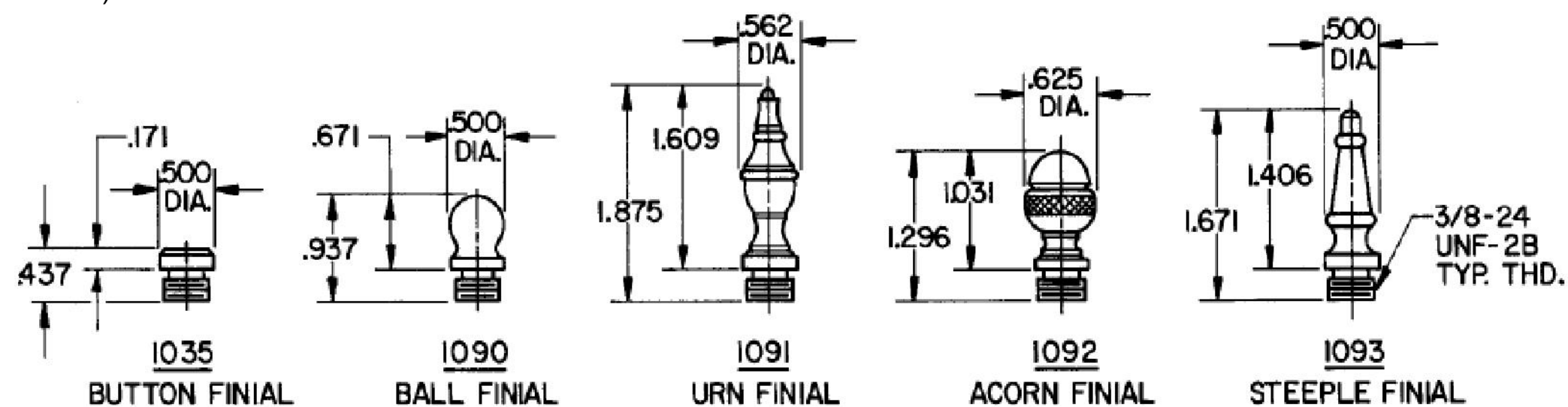
REV	DESCRIPTION
1	RELEASED 12/2017

DOOR AND JAMB DETAIL



NOTE:

- 1.) AVAILABLE WITH ANY OF THE DECORATIVE FINIALS SHOWN.
- 2.) ALL FINIALS ARE INTERCHANGEABLE AND THREAD INTO THE TOP AND BOTTOM OF THE HINGE BARRELS.
- 3.) STAINLESS STEEL HINGE PINS ARE REMOVABLE TO FACILITATE INSTALLATION.
- 4.) USE WITH DOOR THICKNESS OTHER THAN SHOWN MAY AFFECT INSTALLATION DIMENSIONS.



TITLE
1045 4 1/2" SQ CORNER ESTATE HINGE

BALDWIN
Spectrum Brands | Hardware & Home Improvement

THIS DOCUMENT IS THE PROPERTY OF SPECTRUM BRANDS, INC. AND/OR ITS AFFILIATES. THE CONTENTS OF THIS DOCUMENT ARE CONFIDENTIAL AND CONSTITUTE TRADE SECRETS PROPRIETARY TO SPECTRUM BRANDS. NEITHER THIS DOCUMENT NOR ITS CONTENTS SHALL BE DISCLOSED TO ANY UNAUTHORIZED PERSON, COPIED, OR PUBLISHED WITHOUT SPECTRUM BRANDS' PRIOR WRITTEN CONSENT.

SIZE C	DO NOT SCALE DRAWING	DWG NO B045
RELEASE STATE	REV A	ITER 4
SCALE NONE	1045.XXX.I	SHEET 1 OF 1