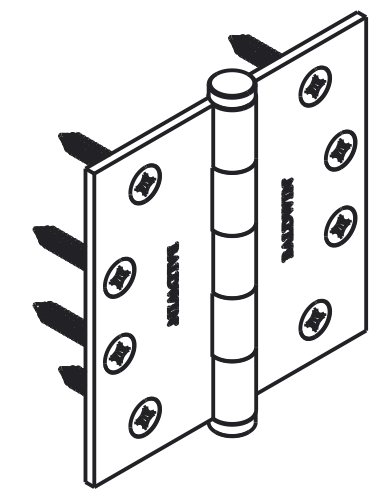
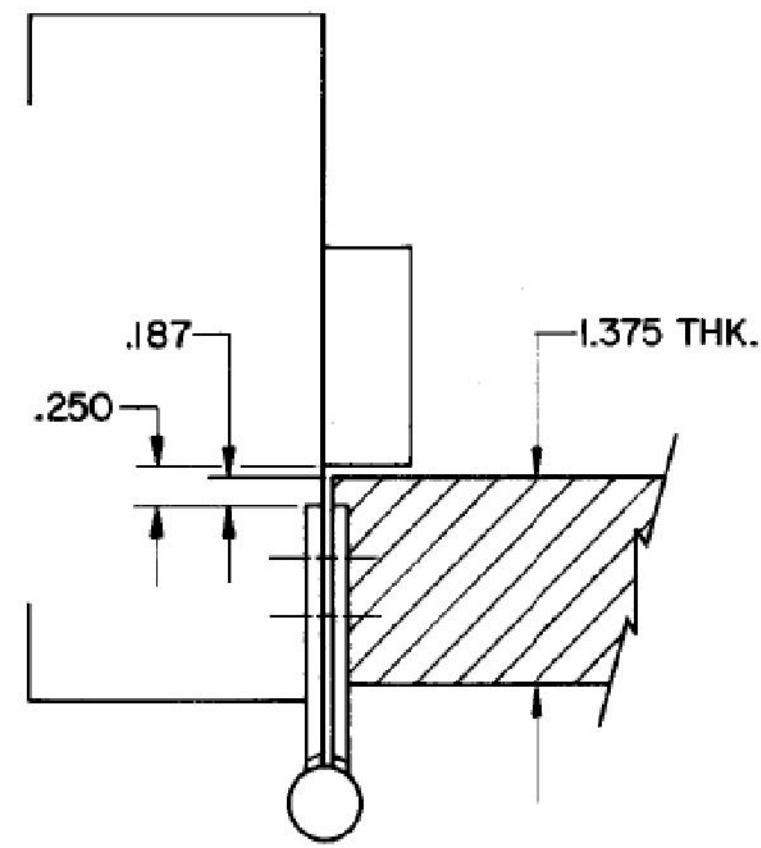
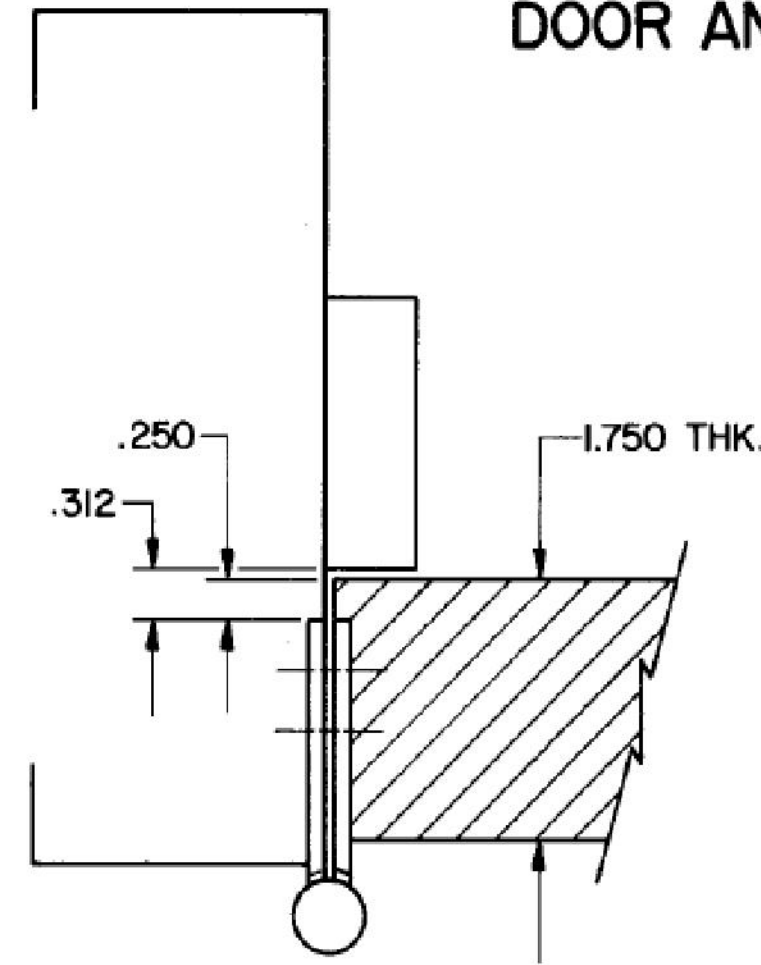


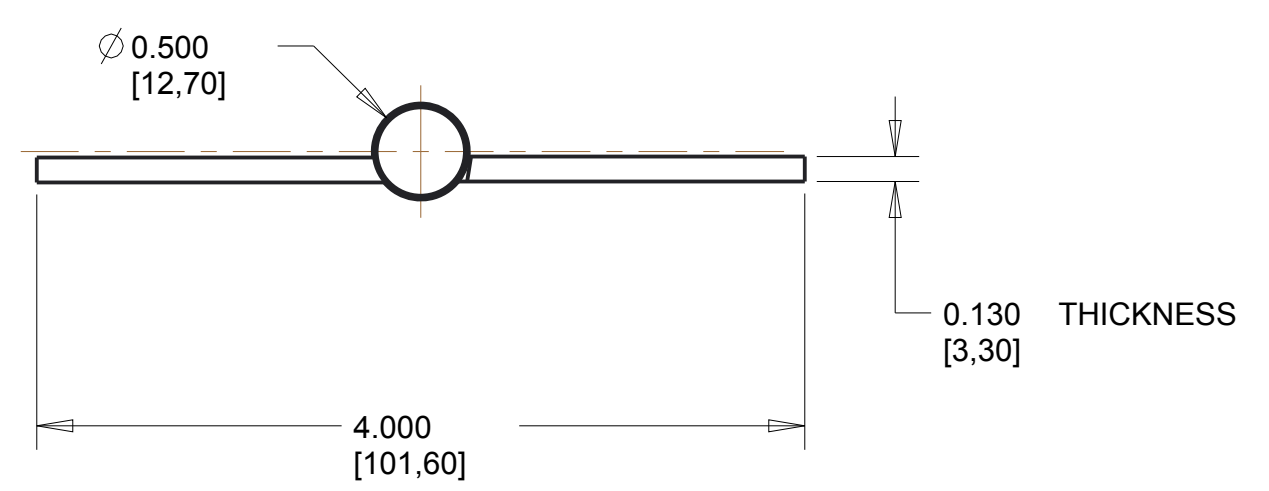
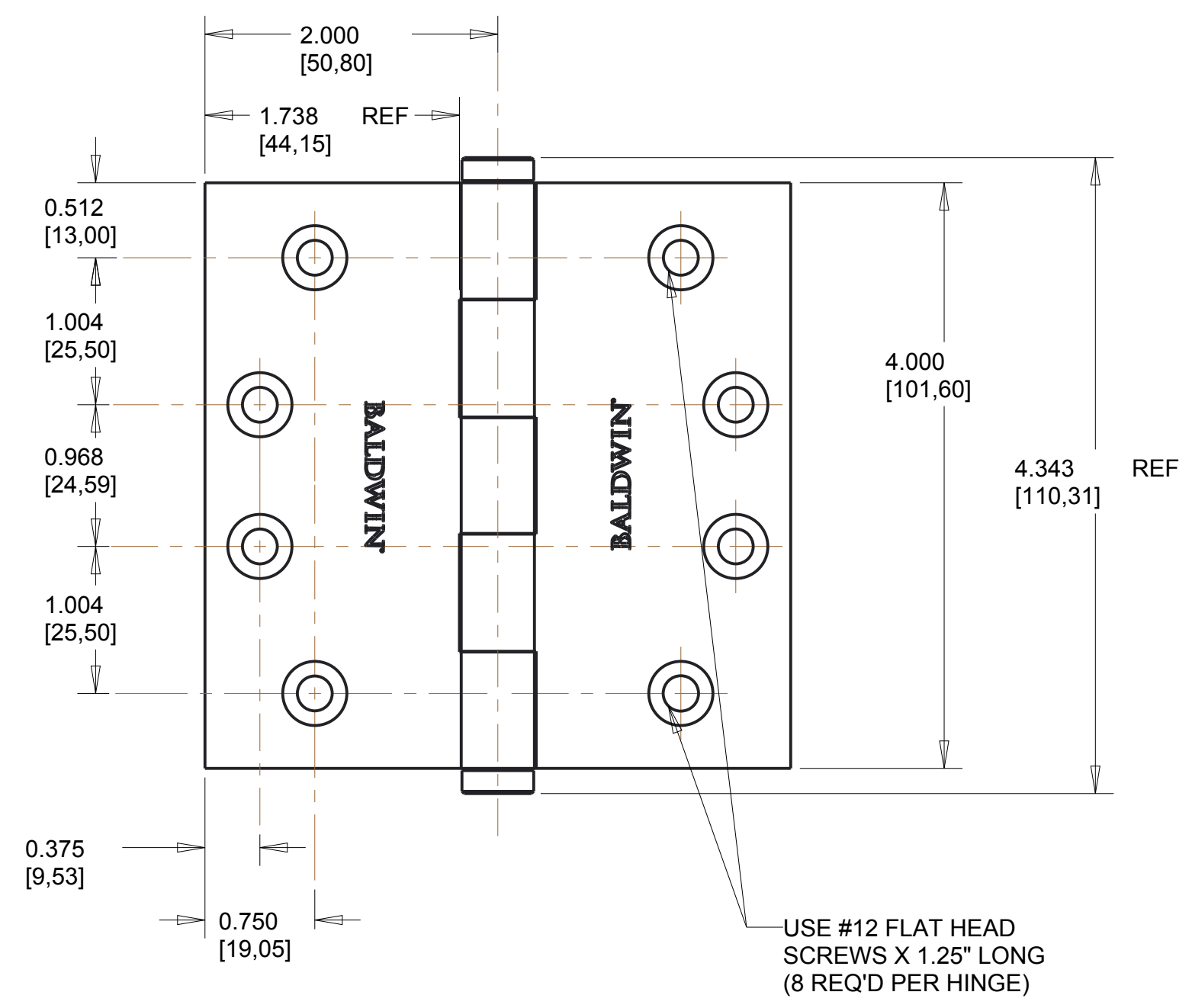
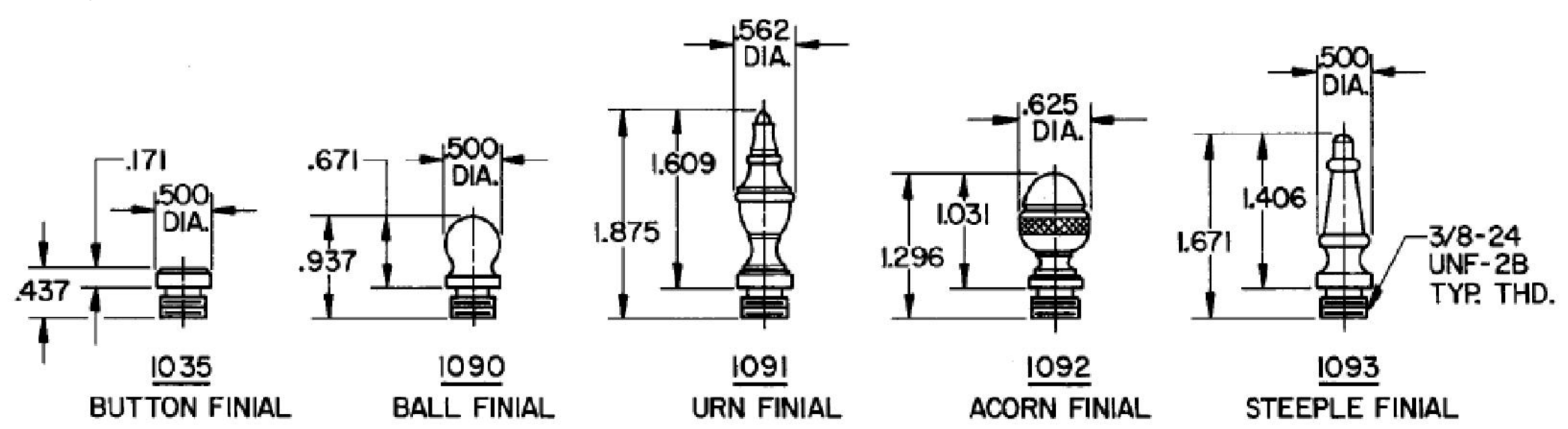
REV	DESCRIPTION
1	RELEASED 12/2017



### DOOR AND JAMB DETAIL



- NOTE:**
- 1.) AVAILABLE WITH ANY OF THE DECORATIVE FINIALS SHOWN.
  - 2.) ALL FINIALS ARE INTERCHANGEABLE AND THREAD INTO THE TOP AND BOTTOM OF THE HINGE BARRELS.
  - 3.) STAINLESS STEEL HINGE PINS ARE REMOVABLE TO FACILITATE INSTALLATION.
  - 4.) USE WITH DOOR THICKNESS OTHER THAN SHOWN MAY AFFECT INSTALLATION DIMENSIONS.



TITLE  
**1040 4" SQ CORNER ESTATE HINGE**



THIS DOCUMENT IS THE PROPERTY OF SPECTRUM BRANDS, INC. AND/OR ITS AFFILIATES. THE CONTENTS OF THIS DOCUMENT ARE CONFIDENTIAL AND CONSTITUTE TRADE SECRETS PROPRIETARY TO SPECTRUM BRANDS. NEITHER THIS DOCUMENT NOR ITS CONTENTS SHALL BE DISCLOSED TO ANY UNAUTHORIZED PERSON, COPIED, OR PUBLISHED WITHOUT SPECTRUM BRANDS' PRIOR WRITTEN CONSENT.

SIZE <b>C</b>	DO NOT SCALE DRAWING	DWG NO <b>B040</b>
RELEASE STATE	REV <b>A</b>	ITER <b>4</b>
SCALE <b>NONE</b>	1040.XXX.I	SHEET <b>1 OF 1</b>