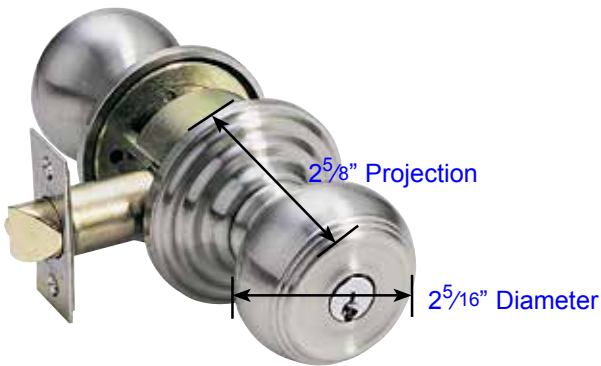
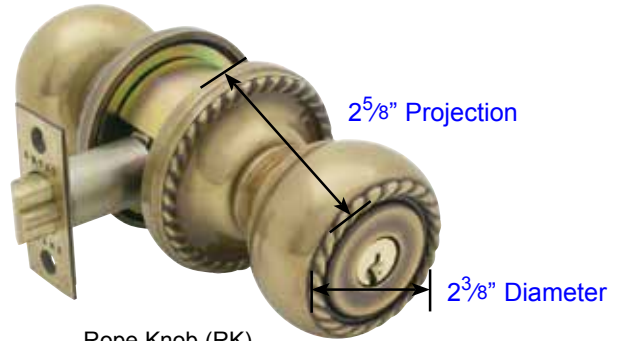


• Space between rosette and knob is approx. 1"



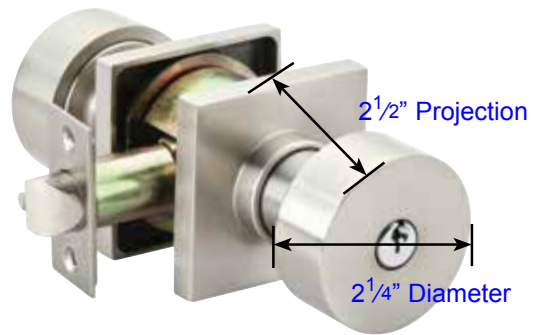
Waverly Knob (W)

• Space between rosette and knob is approx. 1"



Rope Knob (RK)

• Space between rosette and knob is approx. 1"

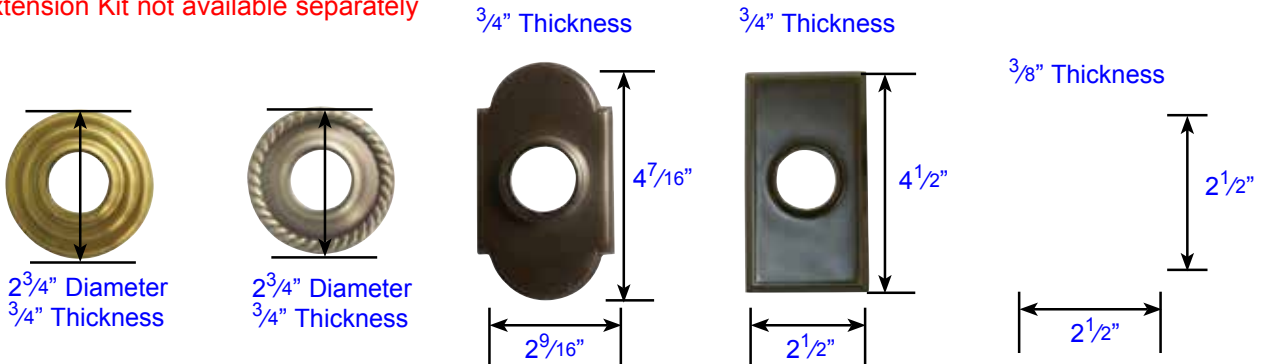


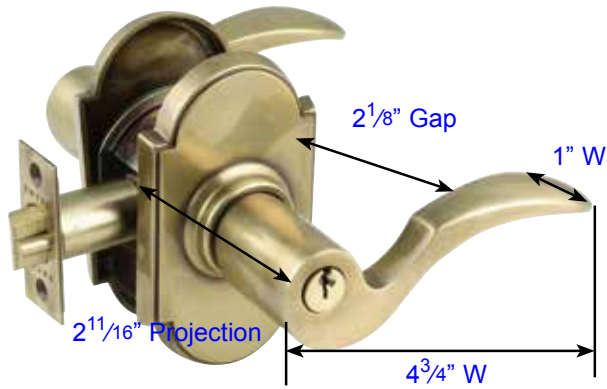
Round Knob (ROU)

**Door Thickness Specifications:**

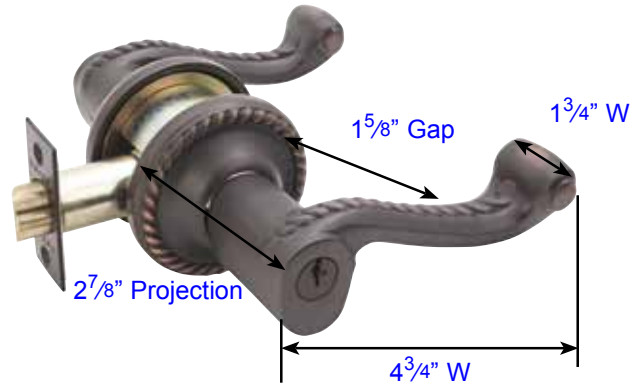
- Standard Door Thickness: 1 1/4" - 2 1/16"
- Extended Door Thickness Range: 2 1/16" - 2 3/4"

- \* Specify Door Thickness when ordering
- \* Extension Kit not available separately

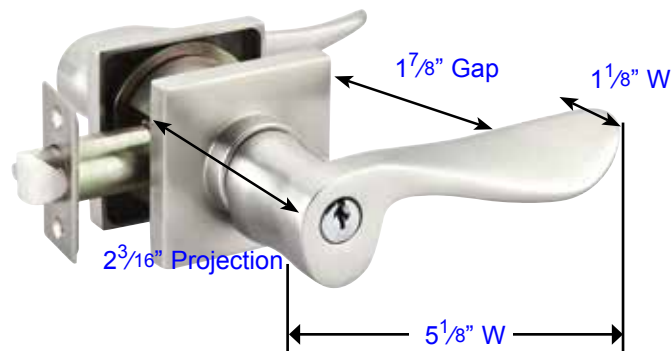




Cortina Lever (C)



Rope Lever (RL)

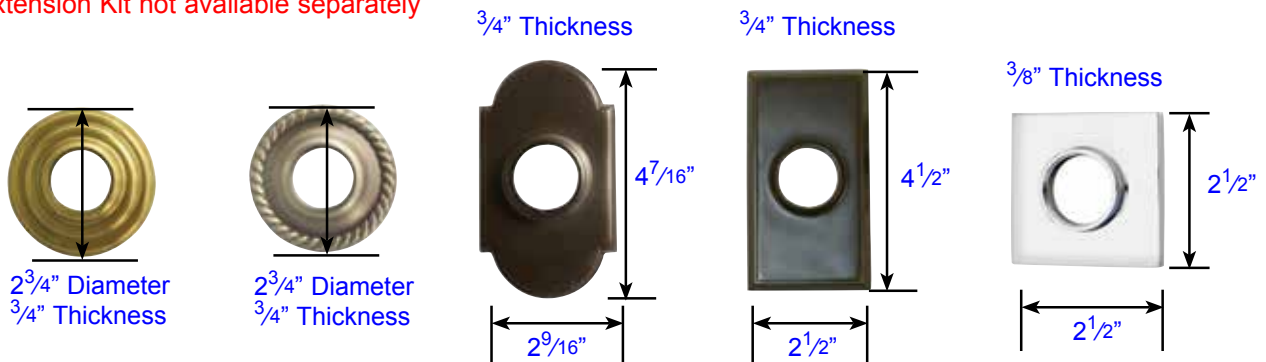


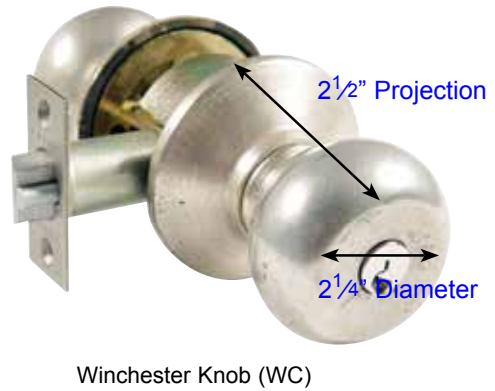
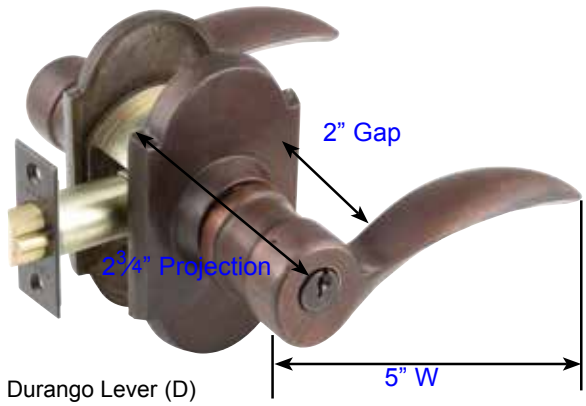
Luzern Lever (LU)

**Door Thickness Specifications:**

- Standard Door Thickness: 1 1/4" - 2 1/16"
- Extended Door Thickness Range: 2 1/16" - 2 3/4"

- \* Specify Door Thickness when ordering
- \* Extension Kit not available separately

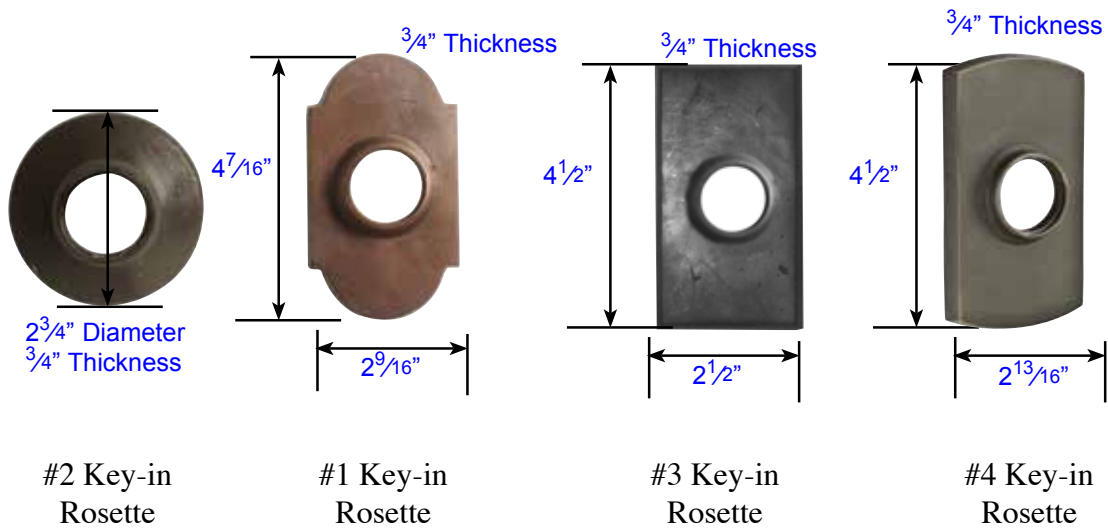


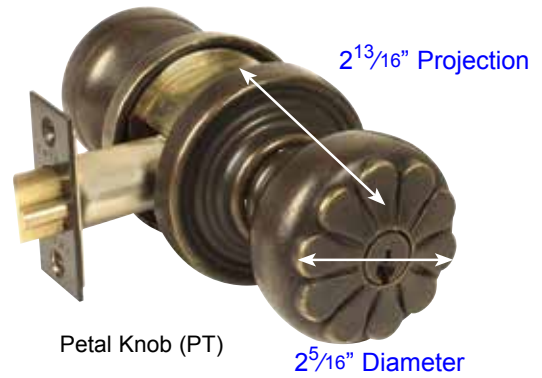
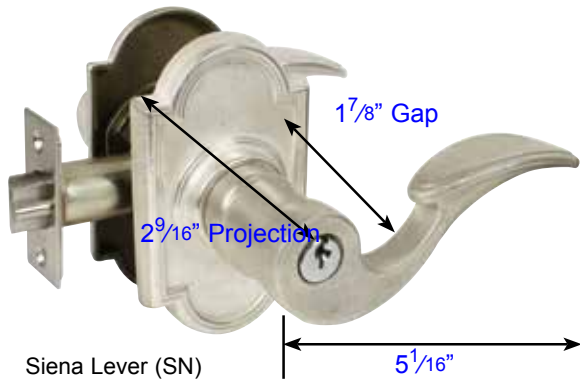


**Door Thickness Specifications:**

- Standard Door Thickness: 1 1/4" 2 1/16"
- Extended Door Thickness Range: 2 1/16" 2 3/4"

- \* Specify Door Thickness when ordering
- \* Extension Kit not available separately

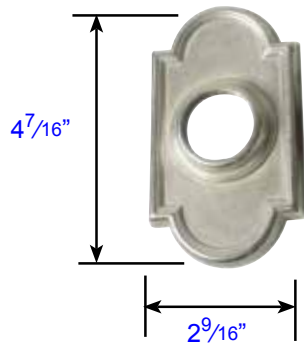




**Door Thickness Specifications:**

- Standard Door Thickness: 1<sup>1</sup>/<sub>4</sub>" - 2<sup>1</sup>/<sub>16</sub>"
- Extended Door Thickness Range: 2<sup>1</sup>/<sub>16</sub>" - 2<sup>3</sup>/<sub>4</sub>"

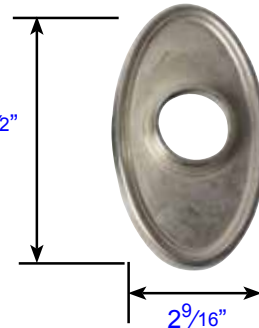
- \* Specify Door Thickness when ordering
- \* Extension Kit not available separately



3/4" Thickness



4<sup>1</sup>/<sub>2</sub>"



3/4" Thickness